

# EPEN BEARING

欧本轴承







## EPEN BEARING 欧本轴承

嘉善欧本轴承有限公司是一家专业生产滑动轴承，金属塑料复合轴承的企业，秉承做专于精、精益求精、为客户不断创造价值的理念，致力于滑动轴承、复合新材料的研究、开发、推广和应用。公司现有主要产品为金属塑料复合系列滑动轴承、双金属系列轴承、单金属系列滑动轴承等，被广泛应用于汽车工业、冶金、工程机械、建筑机械、塑料机械、机床工业、水利水电等30多个领域。

公司以不断满足顾客对产品多样化、高品质的需求为导向，运用现代技术和设备对产品进行持续改进、提升，从而为客户提供更多产品、更高品质的滑动轴承。

Jiashan Epen Bearing Co.Ltd. is a professional manufacturer of plain bearings and wear plates, and has grown rapidly to a point where now all types of plain bearings can be supplied. Standard catalogue sizes, special sizes and designs can be produced at competitive prices and to a high quality standard. Jiashan Epen Bearing Co.Ltd. serves both the domestic and international markets. The Jiashan Epen Bearing Company intend to stay at the forefront of this market.

The self-lubricating bearings supplied by Jiashan Epen Bearing Co.Ltd. are maintenance free and are ideally suitable to oscillatory motion, linear motion, difficult working environments, high temperature applications, etc.



产品目录  
Index

**EB65.01** Page 05



**EB65.02** Page 07



**EB65.03** Page 08



**EB65.04** Page 09



**EB65.05** Page 10



**EB65.06** Page 11



**EB65.07** Page 12



**EB65.08** Page 13



**EB65.09** Page 14



**EB65.10** Page 15



**EB65.11** Page 16



**EB65.12** Page 17



**EB65.13** Page 18



**EB65.14** Page 19



**EB65.15** Page 20



**EB65.16** Page 21





## 主要基材合金 Main Base Alloy

物理性能 和化学成分 Phy. Performance & Chemical Compositions	基材合金 Base Alloy	高力黄铜 CuZn25Al6FeMn3 EB65	高力黄铜 CuZn25Al6FeMn3 EB66	铜合金 CuSn5Pb5Zn5 EB85	铜合金 CuAl10Ni EB80	铜合金 CuSn12 EB88	铸铁 Cast Iron HT250 EB00
Cu%		65	65	85	80	88	
Sn%				5		12	
Pb%				5			
Zn%		25	25	5			
Ni%					5		
Al%		6	6		10		
Fe%					5		
Mn%		4	4				
密度 g/cm <sup>3</sup> Dengity		8.0	8.0	8.8	8.3	8.8	7.3
硬度 HB Hardness		>210	>180	>70	>150	>80	>160
抗拉强度 N/mm <sup>2</sup> Tensile Strength		>750	>550	>200	>500	>360	>250
伸长率 % Elongation		>12	>12	15	>10	>8	
热胀系数 Coefficient of linear expansion		$1.9 \cdot 10^{-5}/^{\circ}\text{C}$	$1.9 \cdot 10^{-5}/^{\circ}\text{C}$	$1.8 \cdot 10^{-5}/^{\circ}\text{C}$	$1.6 \cdot 10^{-5}/^{\circ}\text{C}$	$1.8 \cdot 10^{-5}/^{\circ}\text{C}$	$1.0 \cdot 10^{-5}/^{\circ}\text{C}$
温度 °C Limit Temp.		300 ~ 400	300 ~ 400	400	400	400	400
最大动承载 Max. Load N/mm <sup>2</sup>		100	80	60	50	70	10
最大线速度 Max. Speed m/min		15	15	10	20	10	15
最大 PV Max. PV N/mm <sup>2</sup> · m/min		200	200	200	200	200	40
压缩永久变形量 400N/mm <sup>2</sup>		<0.01	<0.01	<0.05	<0.04	<0.05	<0.015

摩擦系数: 油润滑0.03, 干摩擦: 0.16  
Friction of coe. Oil 0.03; Dry 0.16



## 基材合金牌号

### Alloy International Code

中国牌号 Chinese Code GB1776-87	相当国外牌号 International counterparts				适用情况 Applications
	国际 International ISO 1338	日本 Japan Jis	美国 (USA) ASTM (UNS)	德国 German DIN	
CuZn25Al6FeMn3	CuZn25Al6FeMn3	H5102 CAC304	B30-92 C86300	DIN1709 G-CuZn25A/2.0598	高载荷、低速、一般用 High-load, low speed, general use
CuZn25Al6FeMn3	CuZn25Al6FeMn3	H3102 CAC304	B30-92 C86300	DIN1709 G-CuZn25A/2.0598	超高载荷、低速、高承载用 Super high load, low-speed, high duty
CuAl10Fe3	CuAl10Fe3	H5114 CAC703	B30-92 95800	DIN1714 GB-CuAl10NI/2.1096	中载荷、中速、一般用 Medium load, medium-speed, general use
CuSn5Pb5Zn5	QSn5-5-5	H5111 CAC406	B30-92 C83600	DIN1705 G-Cu5n5ZnPb/2.1096	中载荷、中速 Medium load, medium-speed
DB5675-85 HT250		Fe250	ASTM class40		低载荷、低速 low-load, low-speed

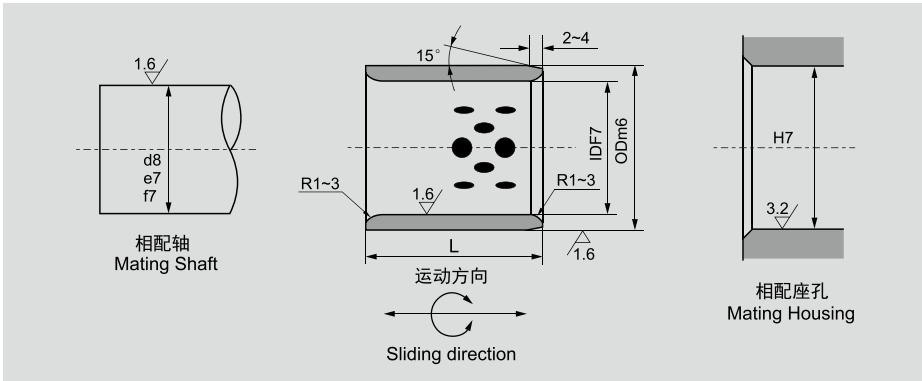
## 固体润滑剂

### Solid Lubricant

固体润滑剂 Solid Lubricant	特性 Features	典型用途 Typical application
固体润滑剂SL1 (PTFE等) SL1(PTFE etc + Add)	很好的耐磨性和化学稳定性, 使用温度 < 400℃ Excellent resistance against chemical attacks and low friction. Temp limit 400℃	适用于一般机械, 在大气中使用, Suite for general machines and under atmosphere
固体润滑剂SL2 (PTFE等) SL2(PTFE etc + Add2)	极低的摩擦系数和很好的水润滑性, 使用温度 < 300℃ Lowest in friction and good of water lubrication,Temp.limit 300℃	适用于水、海水润滑、如船舶, 水工弧门, 水轮机, 制药饮料机械等。 Ship, hydraulic turbine, gas turbine etc.



## EB65.01 自润轴套 EB65.01 Straight Bushings



d	D	IDF7	ODm6	L													
				8	10	12	15	16	20	25	30	35	40	50	60	70	80
8	12	8	12	081208	081210	081212	081215										
10	14	10	14	101408	101410	101412	101415		101420								
12	18	12	18		121810	121812	121815	121816	121820	121825	121830						
13	19	13	19		131910		131915	131916									
14	20	14	20		142010	142012	142015		142020	142025	142030						
15	21	15	21		152110	152112	152115	152116	152120	152125	152130						
16	22	16	22		162210	162212	162215	162216	162220	162225	162230	162235	162240				
18	24	18	24			182412	182415	182416	182420	182425	182430	182435	182440				
20	28	20	28		202810	202812	202815	202816	202820	202825	202830	202835	202840	202850			
22	32	22	32			223212	223215		223220	223225							
25	33	25	33			253312	253315	253316	253320	253325	253330	253335	253340	253350	253360		
30	38	30	38			303812	303815		303820	303825	303830	303835	303840	303850	303860		
35	45	35	45						354520	354525	354530	354535	354540	354550	354560		
40	50	40	50						405020	405025	405030	405035	405040	405050	405060	405070	405080
45	55	45	55								455530	455535	455540	455550	455560		
50	60	50	60								506030	506035	506040	506050	506060	506070	506080



## EB65.01 自润轴套

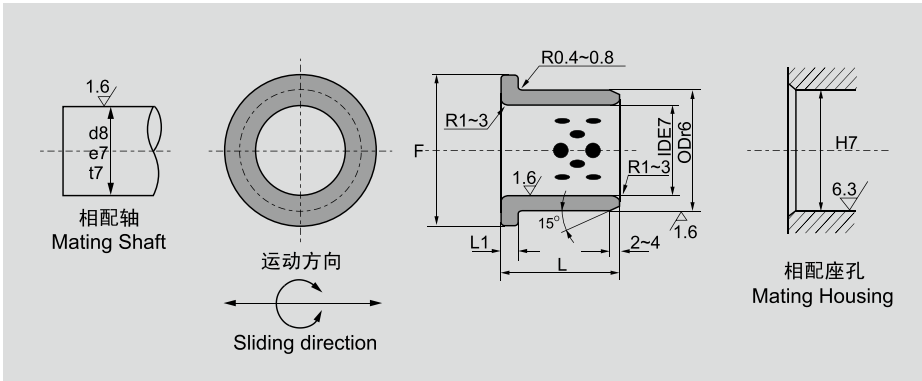
### EB65.01 Straight Bushings

d	D	IDF7	ODm6	L <sup>-0.10</sup> <sub>-0.30</sub>												
				30	35	40	50	60	70	80	100	120	130	140	150	
50	62	50	62	+0.050 +0.025	506230	506235	506240	506250	506260	506270						
50	65	50			506530		506540	506550	506560	506570	506580	5065100				
55	70	55	70	+0.030 +0.011			557040	557050	557060	557070						
60	74	60			607430	607435	607440	607450	607460	607470	607480					
60	75	60	75		607530	607535	607540	607550	607560	607570	607580	6075100				
63	75	63	75						637560	637570	637580					
65	80	65	80					658050	658060	658070	658080					
70	85	70	85	+0.060 +0.030		708535	708540	708550	708560	708570	708580	7085100				
70	90	70			90				709050	709060	709070	709080				
75	90	75	90						759060	759070	759080	7590100				
75	95	75	95						759560	759570	759580	7595100				
80	96	80	96	+0.035 +0.013			809640	809650	809660	809670	809680	8096100	8096120			
80	100	80	100					8010040	8010050	8010060	8010070	8010080	80100100	80100120		80100140
90	110	90	110		9011030			9011050	9011060	9011070	9011080	90110100	90110120			
100	120	100	120	+0.071 +0.036					10012060	10012070	10012080	100120100	100120120		100120140	
110	130	110	130									11013080	110130100	110130120		
120	140	120	140								12014080	120140100	120140120		120140140	
125	145	125	145									125145100	125145120			
130	150	130	150	+0.040 +0.015								130150100		130150130		
140	160	140	160		+0.083 +0.043								140160100			140160140
150	170	150	170										150170100			
160	180	160	180									160180100				160180150





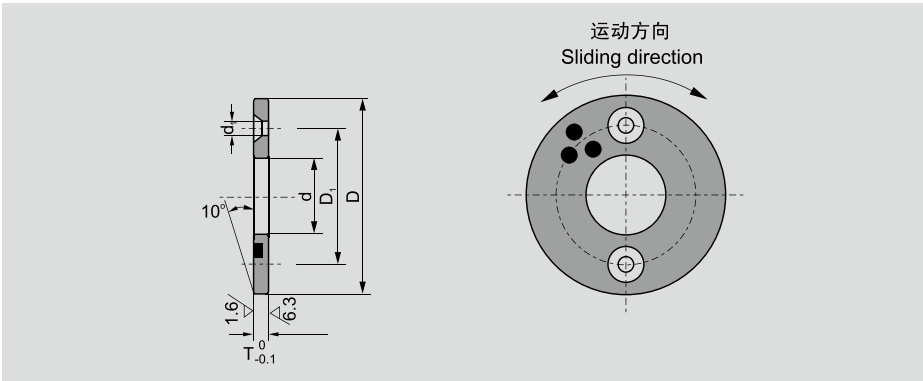
## EB65.02 自润翻边轴套 EB65.02 Shoulder Bushings



d	D	IDE7	ODr6	F	L1 -0.10	L -0.10 -0.30												
						15	20	25	30	35	40	50	60	80	100			
10	14	10	+0.040 +0.025	14	+0.034 +0.023	22	2	1015	1020									
12	18	12		18		25		1215	1220									
13	19	13		19		26		1315	1320									
14	20	14	+0.050 +0.032	20		27	3	1415	1420									
15	21	15		21	+0.041 +0.028	28		1515	1520	1525	1530							
16	22	16		22		29		1615	1620	1625	1630							
20	30	20		30		40		2015	2020	2025	2030		2040					
25	35	25	+0.061 +0.040	35		45		2515	2520	2525	2530		2540					
30	40	30		40		50			3020	3025	3030	3035	3040	3050				
31.5	40	31.5		40	+0.050 +0.034	50			3120			3135						
35	45	35		45		60	5		3520			3530		3540	3550			
40	50	40	+0.075 +0.050	50		65			4020			4030		4040	4050			
45	55	45		55		70						4530		4540	4550	4560		
50	60	50		60	+0.060 +0.041	75						5030		5040	5050	5060		
55	65	55		65		80								5540		5560		
60	75	60		75		90							6040	6050			6080	
63	75	63		75	+0.062 +0.043	85	7.5										6367	
70	85	70	+0.090 +0.060	85		105								7050			7080	
75	90	75		90	+0.073 +0.051	110										7560		
80	100	80		100		120										8060	8080	80100
90	110	90		110		130	10									9060	9080	
100	120	100	+0.107 +0.072	120	+0.076 +0.054	150											10080	100100
120	140	120		140	+0.088 +0.063	170											12080	120100



## EB65.03 自润止推垫片 EB65.03 Thrust Washers

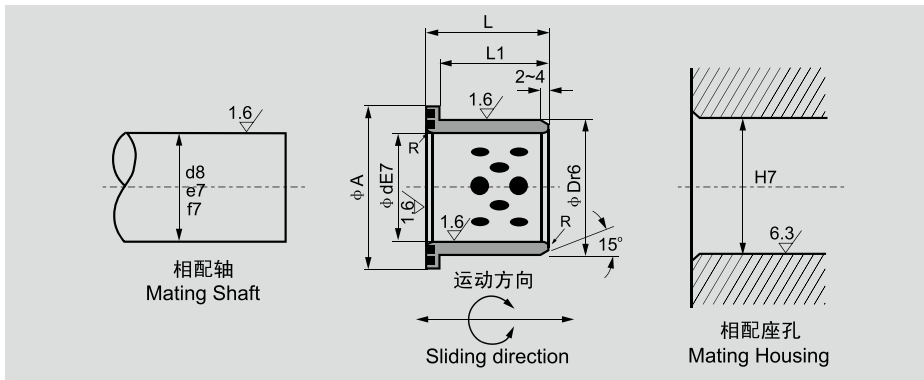


型号 Part No	d	D	T <sub>-0.1</sub> <sup>0</sup>	螺栓 Bolt			
				D <sub>1</sub>	数量 Q'ty	尺寸 size	d <sub>1</sub>
EB65.03-10	10.2	30	3	---	---	---	---
EB65.03-12	12.2	40		28	2	M3	3.5
EB65.03-13	13.2						
EB65.03-14	14.2						
EB65.03-15	15.2			35	2	M3	3.5
EB65.03-16	16.2						
EB65.03-16N	16.2						
EB65.03-18	18.2	50	35	2	M3	3.5	
EB65.03-20	20.2						
EB65.03-20N	20.2						
EB65.03-25	25.2		40	2	M5	6	
EB65.03-25N	25.2						
EB65.03-30	30.2						
EB65.03-35	35.2	60	45	2	M5	6	
EB65.03-40	40.2						
EB65.03-45	45.3						
EB65.03-50	50.3		60	7	M6	7	
EB65.03-55	55.3						
EB65.03-60	60.3						
EB65.03-65	65.3	70	75	4	M8	9	
EB65.03-70	70.3						
EB65.03-75	75.3						
EB65.03-80	80.3		85	10	M10	11	
EB65.03-85	85.3						
EB65.03-90	90.5						
EB65.03-95	95.3	80	90	4	M8	9	
EB65.03-100	100.5						
EB65.03-105	105.3						
EB65.03-110	110.5		95	10	M10	11	
EB65.03-115	115.5						
EB65.03-120	120.5						



## EB65.04 自润翻遍轴套

### EB65.04 Shoulder Bushings

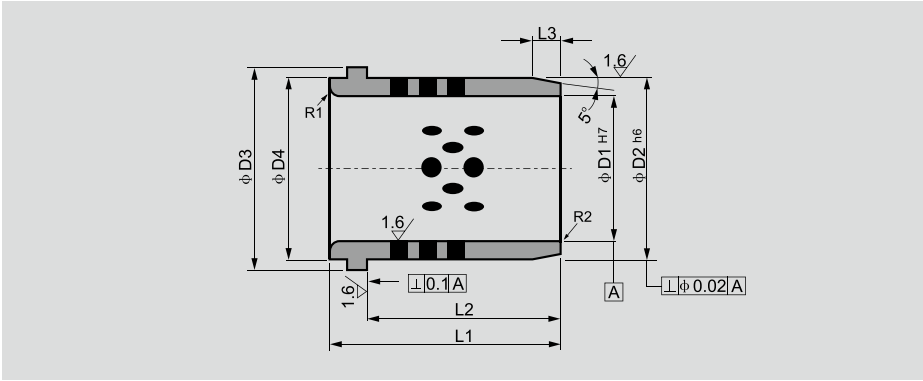


型号 Part No	$\phi d$	E7	$\phi D$	r6	$\phi A$	L1	L
EB65.04-12 × 15	12	+0.050 +0.032	18	+0.034 +0.023	25	11	15
EB65.04-16 × 20	16		22		30	15	20
EB65.04-20 × 25	20	+0.061 +0.040	28	+0.041 +0.028	36	20	25
EB65.04-25 × 30	25		33		43	25	30
EB65.04-30 × 35	30	+0.050 +0.034	38	+0.050 +0.034	48	30	35
EB65.04-40 × 45	40		50		60	40	45
EB65.04-50 × 55	50	+0.075 +0.050	62	+0.060 +0.041	75	49	55
EB65.04-60 × 65	60		75		90	58	65



## EB65.05 自润翻遍轴套

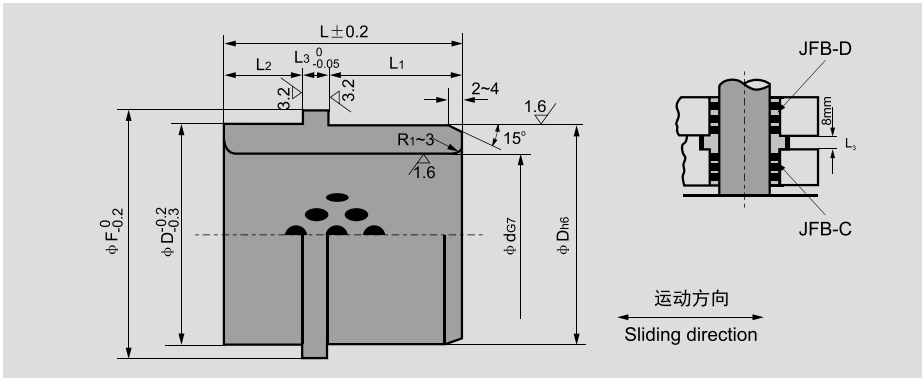
### EB65.05 Guide Pin Bushings (DIN 9834)



型号 Part No	D1	H7	D2	h6	D3	D4	L1	L2	L3	R1
EB65.05-32 × 50	32	+0.025 -0	40	0 -0.016	50	40	50	40	4	3
EB65.05-40 × 63	40		50		63	50	63	50	5	3
EB65.05-50 × 71	50		63	71	63	71	56	6	5	
EB65.05-63 × 80	63	+0.003 -0	80	0 -0.019	90	80	80	63	8	6
EB65.05-80 × 100	80		100		112	100	80	10	8	
EB65.05-100 × 125	100		125	140	125	106	12	10		
EB65.05-115 × 140	115	+0.035 -0	140	0 -0.025	155	140	140	120	12	10



## EB65.06 自润导向套 EB65.06 Guide Ejector Bushings



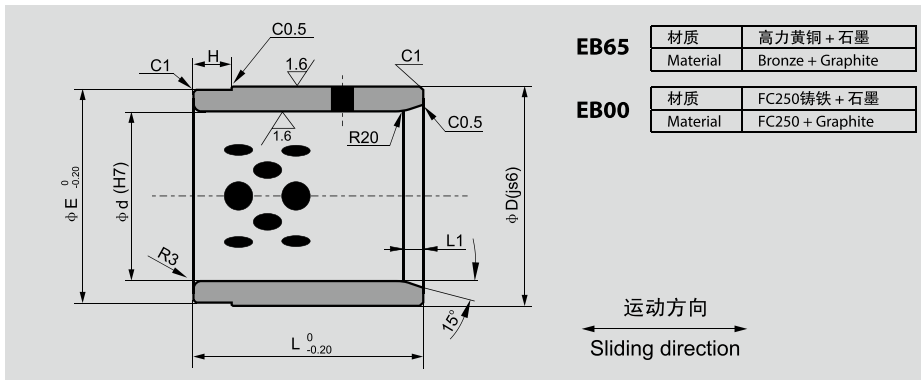
型号 Part No	φ d G7	φ D h6	φ F	L	L <sub>1</sub>	L <sub>2</sub>	L <sub>3</sub>
EB65.06-C-10 × 24	10	16		24	10		
EB65.06-C-10 × 28				28	14		
EB65.06-C-12 × 26	12	18		26	12		
EB65.06-C-12 × 28				28	14		
EB65.06-C-13 × 26				26	12		
EB65.06-C-13 × 28				28	14		
EB65.06-C-13 × 33				33	18		
EB65.06-C-13 × 38				38	24		
EB65.06-C-16 × 26				26	12		
EB65.06-C-16 × 28				28	14		
EB65.06-C-16 × 33				33	19	10	
EB65.06-C-16 × 38				38	24		
EB65.06-C-20 × 26				26	12		
EB65.06-C-20 × 28				28	14		
EB65.06-C-20 × 33				33	19		
EB65.06-C-20 × 38				38	24		
EB65.06-C-25 × 26				26	12		4
EB65.06-C-25 × 28				28	14		
EB65.06-C-25 × 33				33	19		
EB65.06-C-25 × 38				38	24		
EB65.06-C-30 × 33				33	14		
EB65.06-C-30 × 38				38	19		
EB65.06-C-30 × 43				43	24		
EB65.06-C-32 × 38				38	19		
EB65.06-C-32 × 43				43	24	15	
EB65.06-C-32 × 48				48	29		
EB65.06-C-35 × 38				38	19		
EB65.06-C-35 × 43				43	24		
EB65.06-C-35 × 48				48	29		
EB65.06-C-40 × 48				48	24		
EB65.06-C-40 × 53				53	29	20	
EB65.06-C-50 × 48				48	24		
EB65.06-C-50 × 53				53	29		

型号 Part No	φ d G7	φ D h6	φ F	L	L <sub>1</sub>	L <sub>2</sub>	L <sub>3</sub>
EB65.06-D-K-30 × 37				37	14		
EB65.06-D-K-30 × 42				42	19		
EB65.06-D-K-30 × 47				47	24	15	
EB65.06-D-K-30 × 52				52	29		
EB65.06-D-K-40 × 53				53	20		
EB65.06-D-K-40 × 57				57	24	25	
EB65.06-D-K-40 × 60				60	32	20	8
EB65.06-D-K-40 × 67				67	29	30	
EB65.06-D-K-40 × 70				70	42	20	
EB65.06-D-K-50 × 67				67	29	30	
EB65.06-D-K-50 × 87				87	39	40	
EB65.06-D-K-60 × 67				67	29	30	
EB65.06-D-K-60 × 87				87	39	40	



## EB65.07 自润导向套

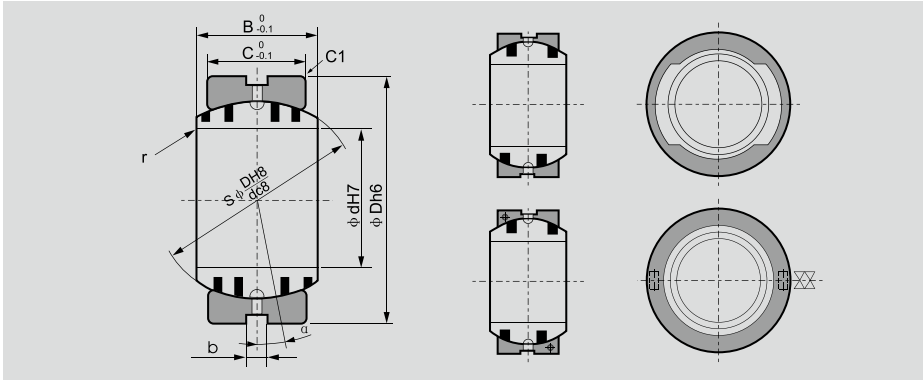
### EB65.07 Guide Post Bushings



型号 Part No	尺寸 Specification	$\Phi D$	$\Phi d$	L	$\Phi E$	H	L1
EB65.07-A-30	50 × 30 × 50	50	30	50	49	10	5
EB65.07-A-40	60 × 40 × 60	60	40	60	59	10	
EB65.07-A-50	70 × 50 × 75	70	50	75	69	15	
EB65.07-A-60	80 × 60 × 90	80	60	90	79	20	10
EB65.07-A-80	100 × 80 × 120	100	80	120	99	25	
EB65.07-A-100	120 × 100 × 150	120	100	150	119	25	
EB65.07-A-120	140 × 120 × 180	140	120	180	139	25	
EB65.07-B-30	50 × 30 × 50	50	30	50	49	10	5
EB65.07-B-40	60 × 40 × 60	60	40	60	59	10	
EB65.07-B-50	70 × 50 × 75	70	50	75	69	15	
EB65.07-B-60	80 × 60 × 90	80	60	90	79	20	10
EB65.07-B-80	100 × 80 × 120	100	80	120	99	25	
EB65.07-B-100	120 × 100 × 150	120	100	150	119	25	
EB65.07-B-120	140 × 120 × 180	140	120	180	139	25	



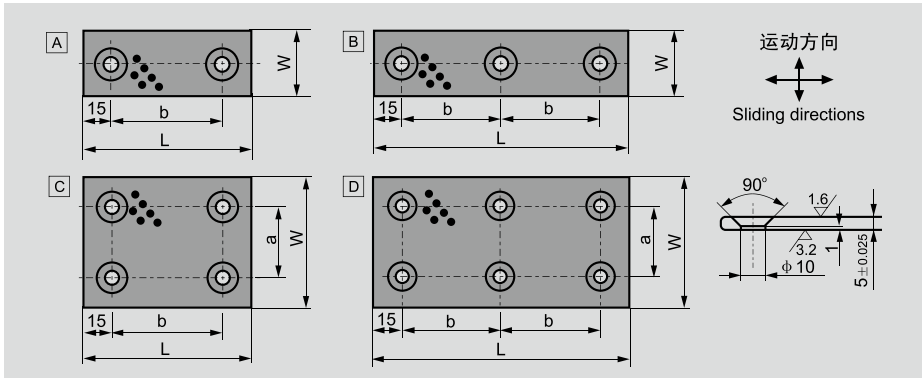
## EB65.08 自润球铰 EB65.08 Spherical Bushings



型号 Part No	Dimension							调整角度 Aligning angle $\sigma^\circ$	Type
	$\phi d$	$\phi D$	B	C	$\phi G$	r	b		
EB65.08-015	15	26	12	9	22	R0.5	4	8	A
EB65.08-020	20	32	16	14	28			4	
EB65.08-025	25	42	21	18	36			5	
EB65.08-030	30	50	27	23	44	R1		6	
EB65.08-035	35	55	30	26	49			5	
EB65.08-040	40	62	33	28	55			6	
EB65.08-050	50	80	42	36	70			5	
EB65.08-060	60	100	53	45	90			6	
EB65.08-070	70	110	58	50	99			5	
EB65.08-080	80	130	70	60	115			6	
EB65.08-090	90	140	76	65	125			6	
EB65.08-100	100	160	88	75	145			6	



## EB65.09 自润滑板 EB65.09 Wear Strips

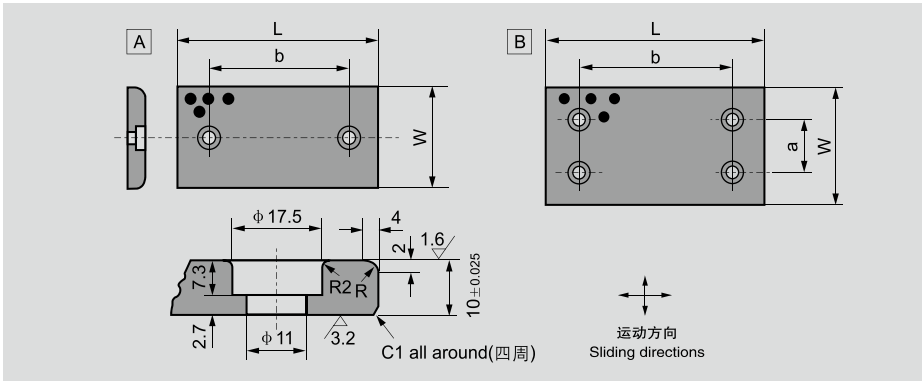


型号 Part No	W	L	a	b	图示 Sketch
EB65.09-18 × 50	18	50	-	20	A
EB65.09-18 × 75		75		45	
EB65.09-18 × 100		100		70	
EB65.09-18 × 150		150		60	
EB65.09-28 × 50	28	50	-	20	A
EB65.09-28 × 75		75		45	
EB65.09-28 × 100		100		70	
EB65.09-28 × 150		150		60	B
EB65.09-38 × 50	38	50	-	20	A
EB65.09-38 × 75		75		45	
EB65.09-38 × 100		100		70	
EB65.09-38 × 150		150		60	
EB65.09-48 × 75	48	75	-	45	A
EB65.09-48 × 100		100		70	
EB65.09-48 × 125		125		95	
EB65.09-48 × 150		150		60	
EB65.09-75 × 75	75	75	45	45	C
EB65.09-75 × 100		100		70	
EB65.09-75 × 125		125		95	
EB65.09-75 × 150		150		60	
EB65.09-100 × 100	100	100	70	70	C
EB65.09-100 × 125		125		95	
EB65.09-100 × 150		150		60	





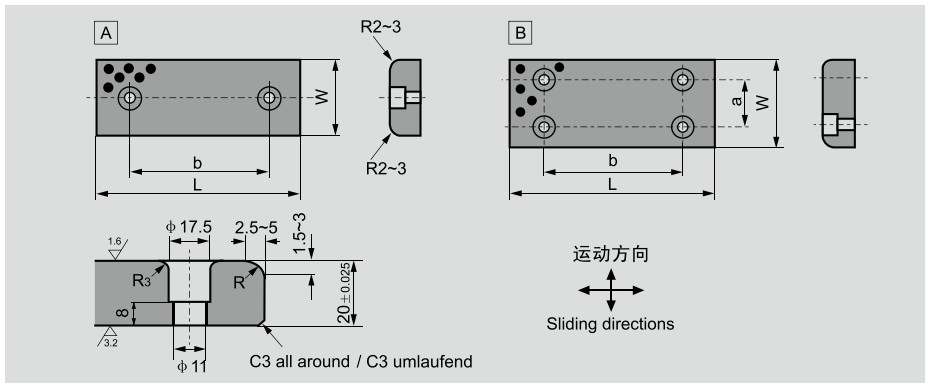
## EB65.10 自润滑板 EB65.10 Wear Strips



规格 Standard No.	W	L	a	b	图示 Sketch
EB65.10-28 × 75	28	75	-	45	A
EB65.10-28 × 100		100		50	
EB65.10-28 × 125		125		75	
EB65.10-28 × 150		150		100	
EB65.10-38 × 75		38		75	
EB65.10-38 × 100	100		50		
EB65.10-38 × 125	125		75		
EB65.10-38 × 150	150		100		
EB65.10-48 × 75	48	75	-	45	
EB65.10-48 × 100		100		50	
EB65.10-48 × 125		125		75	
EB65.10-48 × 150		150		100	
EB65.10-48 × 200		200		150	
EB65.10-75 × 75	75	75	-	25	
EB65.10-75 × 100		100		50	
EB65.10-75 × 125		125		75	
EB65.10-75 × 150		150		100	
EB65.10-75 × 200		200		150	
EB65.10-100 × 100	100	100	50	50	B
EB65.10-100 × 125		125		75	
EB65.10-100 × 150		150		100	
EB65.10-100 × 200		200		150	
EB65.10-100 × 250		250		200	
EB65.10-125 × 150	125	150	50	100	
EB65.10-125 × 200		200		150	
EB65.10-125 × 250		250		200	
EB65.10-150 × 150	150	150	100	100	
EB65.10-150 × 200		200		150	



## EB65.11 自润滑板 EB65.11 Wear Plates (VDI 3357)



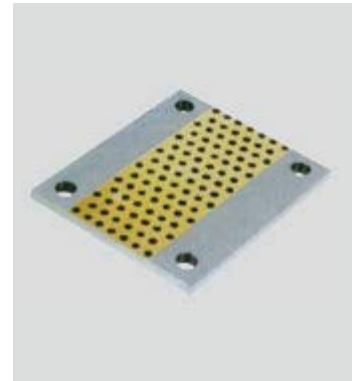
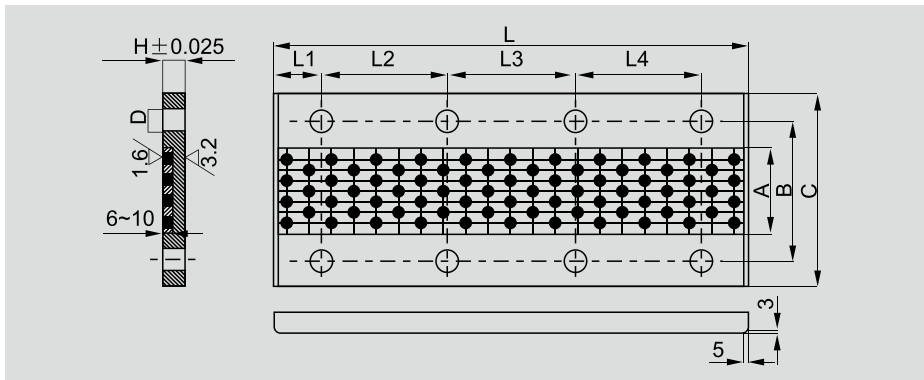
型号 Part No	W	L	a	b	图示 Sketch
EB65.11-28 × 75	28	75	-	45	A
EB65.11-28 × 100		100		50	
EB65.11-28 × 150		150		100	
EB65.11-38 × 75	38	75	-	45	
EB65.11-38 × 100		100		50	
EB65.11-38 × 150		150		100	
EB65.11-48 × 75	48	75	-	45	
EB65.11-48 × 100		100		50	
EB65.11-48 × 125		125		75	
EB65.11-48 × 150		150		100	
EB65.11-48 × 200		200		150	
EB65.11-58 × 75	58	75	-	45	
EB65.11-58 × 100		100		50	
EB65.11-58 × 150		150		100	
EB65.11-75 × 75	75	75	-	25	
EB65.11-75 × 100		100		50	
EB65.11-75 × 125		125		75	
EB65.11-75 × 150		150		100	
EB65.11-75 × 200		200		150	

型号 Part No	W	L	a	b	图示 Sketch
EB65.11-100 × 100	100	100	50	50	B
EB65.11-100 × 125		125		75	
EB65.11-100 × 150		150		100	
EB65.11-100 × 200		200		150	
EB65.11-100 × 250		250		200	
EB65.11-100 × 300		300		200	
EB65.11-125 × 125	125	125	50	75	
EB65.11-125 × 150		150		100	
EB65.11-125 × 200		200		150	
EB65.11-125 × 250		250		200	
EB65.11-125 × 300		300		200	
EB65.11-125 × 350		350		200	
EB65.11-150 × 150	150	150	100	100	
EB65.11-150 × 200		200		150	
EB65.11-150 × 250		250		200	



## EB65.12 水利工程滑板

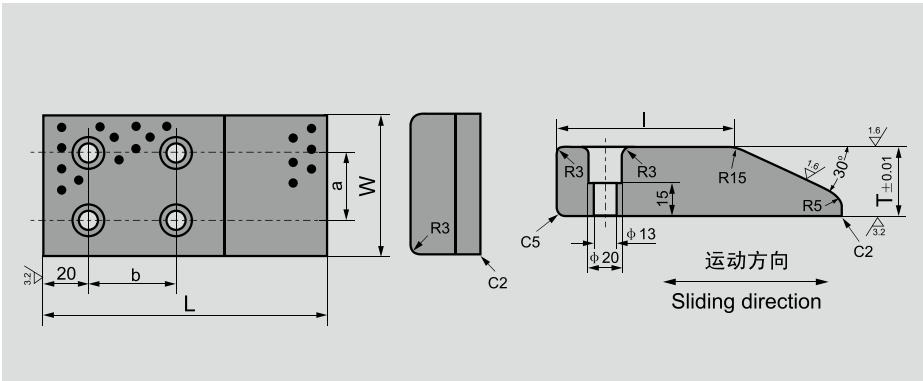
### EB65.12 Bi-metal Wear Plates



型号 Part No	L	A	B	C	H	L <sub>1</sub>	L <sub>2</sub>	L <sub>3</sub>	L <sub>4</sub>	D	螺栓 Bolt
EB65.12-H500 × 200	500	90	145	200	20	46	136	136	136	24	M22
EB65.12-H450 × 180	450	80	130	180	20	42	122	122	122	22	M20
EB65.12-H400 × 160	400	70	115	160	18	35	110	110	110	20	M16
EB65.12-H300 × 140	300	60	100	140	16	30	120	120		16	M14



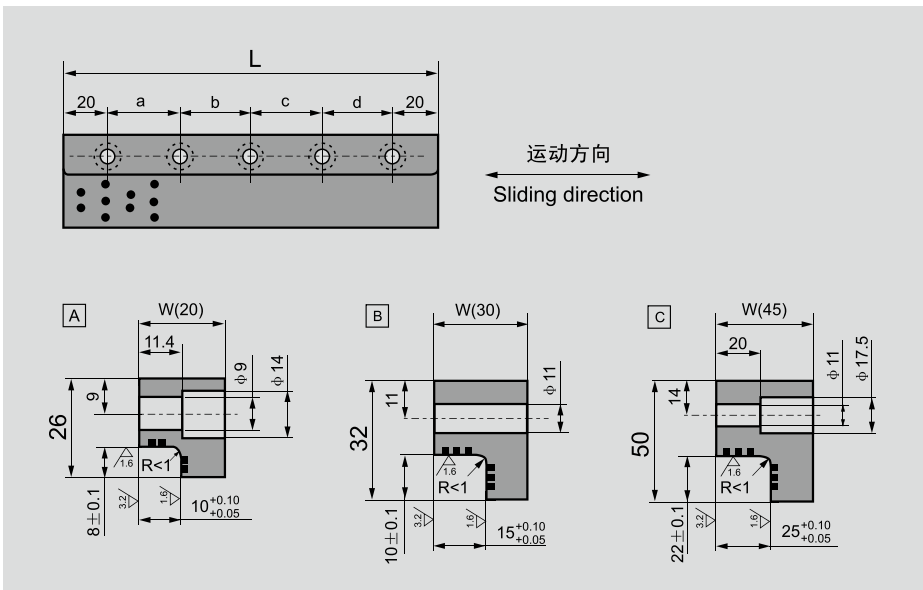
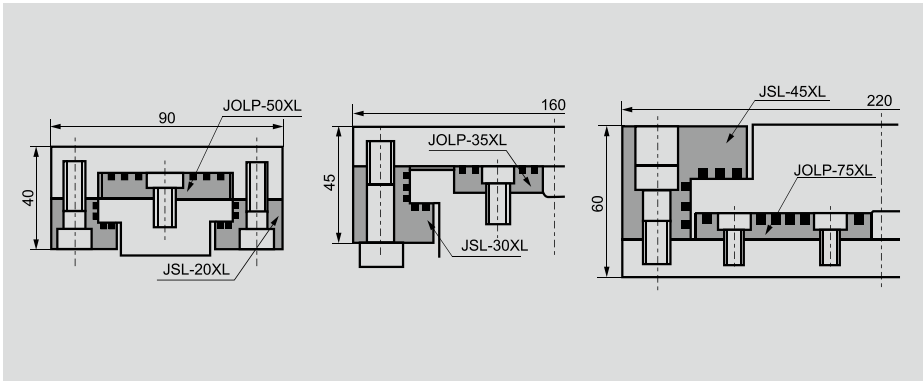
## EB65.13 凸轮行程滑板 EB65.13 Cam Dwell Wear Plates



型号 Part No	W	L	T	l	a	b
EB65.13-75 × 130	75	130	30	95	40	50
EB65.13-75 × 150		150	45	90		45
EB65.13-75 × 170		170	60	120		75
EB65.13-75 × 200		200				
EB65.13-100 × 130	100	130	30	95	60	50
EB65.13-100 × 150		150	45	90		45
EB65.13-100 × 170		170	60	120		75
EB65.13-100 × 200		200				
EB65.13-125 × 130	125	130	30	95	85	50
EB65.13-125 × 150		150	45	90		45
EB65.13-125 × 170		170	60	120		75
EB65.13-125 × 200		200				
EB65.13-150 × 130	150	130	30	95	110	50
EB65.13-150 × 150		150	45	90		45
EB65.13-150 × 170		170	60	120		75
EB65.13-150 × 200		200				



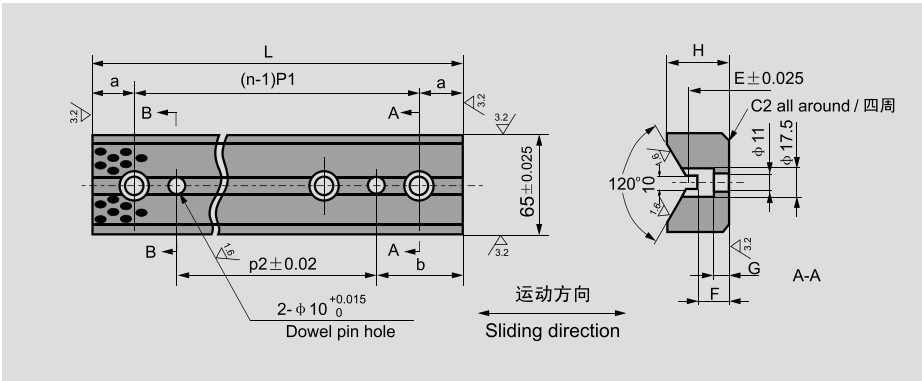
## EB65.14 L型自润滑板 EB65.14 L-Gibs



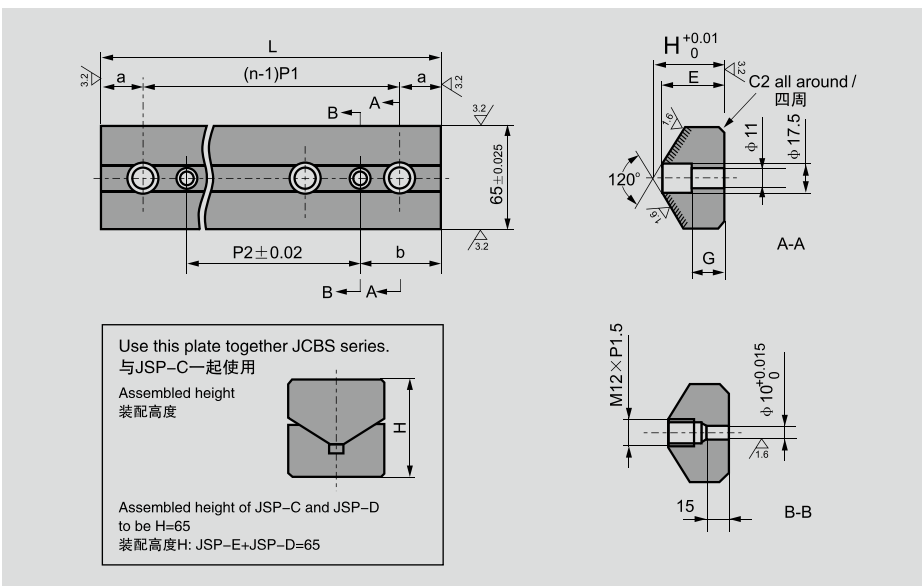
型号 Part No	W	L	螺栓位置 Bolt location				螺栓 Bolt		图示 Sketch
			a	b	c	d	Type 规格	Q'ty 数量	
EB65.14-E-20 × 100	20	100	60	-	-	-	M8	2	A
EB65.14-E-20 × 150		150	55	55	-	-		3	
EB65.14-E-20 × 200		200	55	50	55	-		4	
EB65.14-E-30 × 100	30	100	60	-	-	-	M10	2	B
EB65.14-E-30 × 150		150	55	55	-	-		3	
EB65.14-E-30 × 200		200	55	50	55	-		4	
EB65.14-E-30 × 250	45	250	70	70	70	-	M10	4	C
EB65.14-E-45 × 200		200	55	50	55	-		4	
EB65.14-E-45 × 250		250	70	70	70	-		4	
EB65.14-E-45 × 300	45	300	65	65	65	65	M10	5	C
EB65.14-E-45 × 350		350	80	75	75	80		5	



## EB65.15 凸轮底部导板 EB65.15 Guide Components U & V Blocks



型号 Part No	L	H	E	F	G	a	P1	螺栓 Bolt n	b	p2
EB65.15-C-100	100	35	18	15	8	20	60	2	40	20
EB65.15-C-150	150					3	50			
EB65.15-C-200	200	50	18	15	8	25	50	4	50	100
EB65.15-C-250	250							5		150
EB65.15-C-300	300							6		200

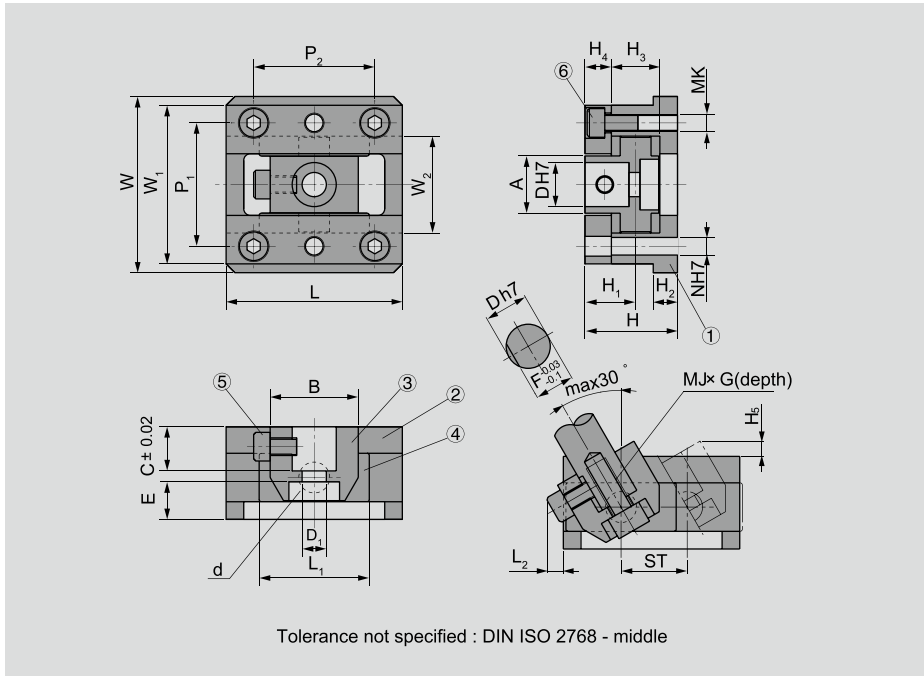


型号 Part No	L	H	E	G	a	P1	螺栓 Bolt n	b	p2
EB65.15-D-100	100	47	44	20	20	60	2	40	20
EB65.15-D-150	150				3	50			
EB65.15-D-200	200	50	44	20	25	50	4	50	100
EB65.15-D-250	250						5		150
EB65.15-D-300	300						6		200



EB65.16 模架

EB65.16 Inclined Ejector Units, maintenance-free



型号 Part No	D	d	D <sub>1</sub>	A	B	C	E	F	MJ	G	H	H <sub>1</sub>	H <sub>2</sub>
EB65.16-8	8	7	4.5	11	20	8	10	7	M4	8	22	12.5	5
EB65.16-10	10	7	5.5	15	25	10	12.5	9	M5	9	27	15.5	5
EB65.16-12	12	10	7	17	25	12	15	11	M6	10	32	18	7
EB65.16-16	16	12	9	22	30	16	15	14.5	M8	12	36	20	8
EB65.16-20	20	14	11	26	40	20	16	18	M10	16	42	23	11
EB65.16-25	25	16	14	32	45	25	17	22.5	M12	20	50	28	15
EB65.16-30	30	18	14	38	50	30	17	27	M12	25	55	30	15
EB65.16-35	35	20	14	45	60	35	18	32	M12	30	62	35	15
EB65.16-40	40	25	18	55	70	40	19	36	M16	35	70	40	15
EB65.16-45	45	30	18	60	80	45	24	40	M16	40	80	45	15

型号 Part No	H <sub>3</sub>	H <sub>4</sub>	H <sub>5</sub>	L	L <sub>1</sub>	L <sub>2</sub>	W	W <sub>1</sub>	W <sub>2</sub>	P <sub>1</sub>	P <sub>2</sub>	MK	N	ST
EB65.16-8	11	7	10.5	32	20	3.6	33	30	19	24	20	M3	3	10
EB65.16-10	15	8	11.3	45	25	4.5	45	40	25	32	30	M4	4	18
EB65.16-12	16	10	4	50	30	5	57	51	31	39	35	M6	6	20
EB65.16-16	20	10	5	65	40	5	65	58	38	46	40	M6	6	25
EB65.16-20	22	12	8	80	50	5	80	72	44	56	55	M8	8	30
EB65.16-25	26	15	8	90	55	6	93	85	52	66	65	M10	10	35
EB65.16-30	30	15	9	100	60	7	101	93	60	74	70	M10	10	40
EB65.16-35	34	18	10	120	75	8	120	110	70	85	80	M12	10	45
EB65.16-40	44	18	12	135	85	8	130	120	80	95	90	M12	10	50
EB65.16-45	50	20	14	150	95	10	140	130	90	105	110	M12	10	55



## 产品简述

### Production Brief Description

固体润滑轴承(滑板)是在轴承基体的金属摩擦面上开出大小适当、排列有序的孔穴，然后孔穴中嵌入具有独特自润滑性能的成型固体润滑剂(固体润滑剂面积一般为摩擦面积的20%—30%)而制成的自润滑轴承。该轴承综合了金属基体和特殊配方润滑材料的各自优点，突破了一般轴承依靠油膜润滑的局限性。固体润滑轴承特别适用于无油、高温、高负载、低速度、防污、防蚀、防辐射、以及在水中或真空溶液浸润而根本无法加润滑油的特殊工况条件下使用。该产品广泛应用于冶金设备、模具、水利工程、灌装设备、水轮机、气轮机、仪器仪表以及矿山机械、船舶机械、纺织

机械、航天航海等领域，也适用于一般工程机械。

固体润滑轴承的基体应根据轴承自身的工况条件而定。比较常用的材料有高力黄铜、锡青铜、铸铁等。嵌入的固体润滑材料主要是石墨及添加剂，不同的添加剂适用于不同的工况。根据轴承自身工况条件，通过不同金属基体和嵌入固体润滑剂的组合，可保证产品能满足各种温度、负荷、运动和介质等工况条件下的特殊需要，同时保证稳定可靠地工作。

Solid lubricated bushing are sliding blocks are self-lubricated bushing are obtained by means of drilling orderly arranged holes in proper size on the surface of metallic matrix of the bushing before filling the solid lubricant with self-lubrication capability (the area of the solid lubricant applied is usually 20% to 30% of the abrasion area). The bushing integrate the advantages of both the metallic matrix and the specially formulated lubricants and break through the limitation of the ordinary bushing, which depends on the oil for lubrication. The solid lubricant bushing are especially suitable for oil-free, high-temperature, high-load, low-speed, anti-fouling, anti-corrosion, anti-radioactivity circumstances as well as the special circumstances in water or vacuum settings where it is impossible to add oil for lubrications. This product is widely applied to the steel rolling equipments, filling equipments, water turbines, steam turbines, instruments and meters as well as mine machineries, vessel

machineries, textile machineries, ship building industry, cosmonautics and navigation, etc. They can be used for general engineering machineries too.

The base materials of solid lubricant bushing shall be determined according to the working conditions of the bushing. The commonly used material is high-strength copper, tin bronze and cast iron, etc. The filled solid lubricant is mainly graphite and additives. Various additives are for various working conditions. Therefore, according to the working conditions of the bushing, a mix of metallic matrix and filled solid lubricant can enable the products to meet the specific requirements in various conditions with various temperatures, loads, movements and ambient substances and meanwhile, ensure stabilized and reliable functioning.





## 固体润滑轴承的使用特点

### Features of The Solid Lubricant Bearings

**1、设计灵活、简单、方便、使用范围广：**  
供油系统在机械设计上是一件费工、费时的事，使用固体润滑轴承在设计时不需要考虑加油装置，节约了加油装置设备。同时可以针对各种特殊场合，把固体润滑轴承设计成各种形状，以满足各种特殊场合需要，使用固体润滑轴承，可以大幅减少机械检修，油料等费用。

**2、无油可以使用：**  
由于固体润滑剂的线膨胀系数大于金属基体，因此当固体润滑轴承开始运转时，油膜会转移到对磨件上而实现自润滑，所以固体润滑轴承可以使用在难以加油以及不能加油或油脂的地方，即使在低速高负载的情况下，也能起到良好的润滑作用。

**3、使用成本低：**  
传统的机械设计，在一定的操作时间内，要经常加油保养，检查油表，供油装置是否畅通，因定期加油导致机体本身及周边环境污染，造成维护保养成本的增加，实现自润滑后，不但可以实现环境整洁，而且大大降低了使用润滑油的成本。

**4、高承载、低转速情况下，可发挥优越的性能：**  
固体润滑轴承是用离心铸造的高强度黄铜

作基体，起到承载负荷的作用，用具有良好自润滑性能的特殊配方的石墨作润滑剂，起到自润滑作用，因此它综合了它们各自的优点。即使在高承载，低速情况下仍可发挥优越的性能。

**5、往复运动，摇动运动、起动停止频繁等油膜形成困难的场所，可发挥优越的耐磨性：**

固体润滑轴承润滑剂的排列原则是保证对磨件在运转过程中各个部位都有润滑剂作用，因此排列润滑剂时必须根据对磨件的运动方向来确定润滑剂的排布位置。

**6、优越的耐药品性及耐蚀性；**  
固体润滑轴承的润滑剂是用特殊配方的石墨、PTEE等耐磨材料制成的，它具有稳定的分子结构，金属基体可以根据不同金属具有不同的耐药品性和耐蚀性来选择，因此固体润滑轴承具有优越的耐药品性和耐蚀性。

**7、产品成本更具竞争力，与同类产品相比，工作寿命较长，所需维护保养甚少，替代更换周期长，性能好。**



## 固体润滑轴承的使用特点

### Features of The Solid Lubricant Bearings

#### 1. Flexible design, simple, convenient with wide applications

The designing of oil-feeding system is both a labor consuming and time consuming job. Therefore, the neglecting of oil-feeding apparatus in the designing of solid lubricant bearings saves the cost of oil-feeding apparatus. Besides, for various specific circumstances, the solid lubricant bearings can be designed into various types to meet the requirements thereof. The use of solid lubricant bearings can greatly reduce the cost of mechanical maintenance and oil.

#### 2. Functional in absence of oil

Since the linear expansibility of solid lubricant is greater than metallic matrix's, when the movement of solid lubricant bearings (SLB) start, the lubricant is transferred onto the parts in abrasion thus realizing the self-lubrication. Therefore, the SLBs can be used in circumstances where oiling and greasing is difficult or impossible and they perform excellent lubrication even under low-speed and high load circumstances.

#### 3. Cost efficiency

The traditional mechanical designing requires frequent oiling maintenance; oil gauge check shall be performed to ensure the passage of oil supplying apparatus is clear. Since the periodical oiling can cause pollution to the machines themselves as well as to the ambient surroundings, resulting in an increase of the maintenance cost, the realization of self-lubrication can not only make the environment clean but greatly reduce the lubricating costs as well.

#### 4. Excellent performance under high-load, low-speed circumstances

The SLBs are made of rotational cast high-strength copper as the matrix, which functions as load bearers. Besides, SLBs use specially formulated graphite as lubricant, ensuing excellent self-lubrication. Combining the advantages of both the matrix and lubricant, SLBs are capable of exert their wonderful performance in circumstances with high load and low speed.

5. In circumstances where it is difficult for the oil films to generate, such as the alternative movements, swinging movements and frequent on-and-off, SLBs highlights their excellent resistance to abrasion. As the principle of the arrangement of SLB lubricant is to ensure that each part of the equipment is involved in the lubrication throughout the movement, the location of the lubricant shall be determined according to the movement direction of the parts in abrasion.

#### 6. Excellent chemical resistance and corrosion resistance

The lubricant for SLB is formulated out of the abrasion-resistant materials such as graphite and PTEE and has stabilized molecular structure. The metallic matrix can be selected according to the various chemical resistance and corrosion resistance accordingly. Therefore, the SLB enjoys high chemical resistance and corrosion resistance.

7. The cost of the products is more competitive and compared with other products of the same kind, the SLB features in longer service hours, less maintenance, longer replacement period and better performance.

本样本所涉及的文字和数字说明是理论值仅供设计时参考且作为判断产品是否具有适用性，不作为产品性能和品质的保证。本公司有修改产品说明和变更技术数据的权利且恕不事先通知。

The information contained in this catalogue is for reference only. All data and values presented are theoretical and are intended to be offered strictly as a guideline for your reference and verification. There is no expressed or implied warranty for any of the product data presented. Epen Bearing Co. Ltd. reserves the right to change any of the product specifications or design values at any time without prior notice.

如无本公司书面声明，本公司将不承诺所描述的产品适用于某种目的和某种工况条件，本公司将不承担由此直接或间接产生的损失且本公司不承担赔偿义务及法律责任。

Unless previously agreed to in writing, Epen Bearings Co.Ltd. does not warranty the performance, suitability or quality of the products offered in this catalogue and assumes no legal responsibility or obligation for the use of the products or information presented. Please contact Epen Bearings Co. Ltd with any questions.



**嘉善欧本轴承有限公司**  
**JIASHAN EPEN BEARING CO., LTD**

地址 浙江嘉善经济开发区(惠民街道)成功路161号  
邮编 314100

电话 +86 573 8482 4388  
传真 +86 573 8482 4386  
网址 [www.cnepen.cn](http://www.cnepen.cn)  
邮件 [epen@cnepen.cn](mailto:epen@cnepen.cn)

No 161 ChengGong Road, Economic Development  
Zone (HuiMin Street) Jiashan Zhejiang China  
**Post Code** 314100

**Tel** +86 573 8482 4388  
**Fax** +86 573 8482 4386  
**Http** [www.cnepen.cn](http://www.cnepen.cn)  
**E-mail** [epen@cnepen.cn](mailto:epen@cnepen.cn)